



Acme Sanitary Ware Co Ltd

Acme Building, 22-28 Nanking Street, Kowloon, Hong Kong
Tel: 2388 7171 Fax: 2710 8012
E-mail: acme@acmesanitary.com.hk
Website: www.acmesanitaryware.com.hk



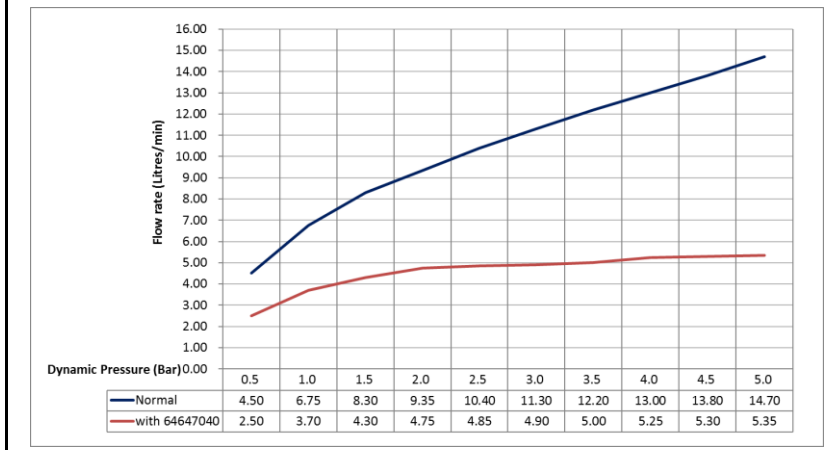
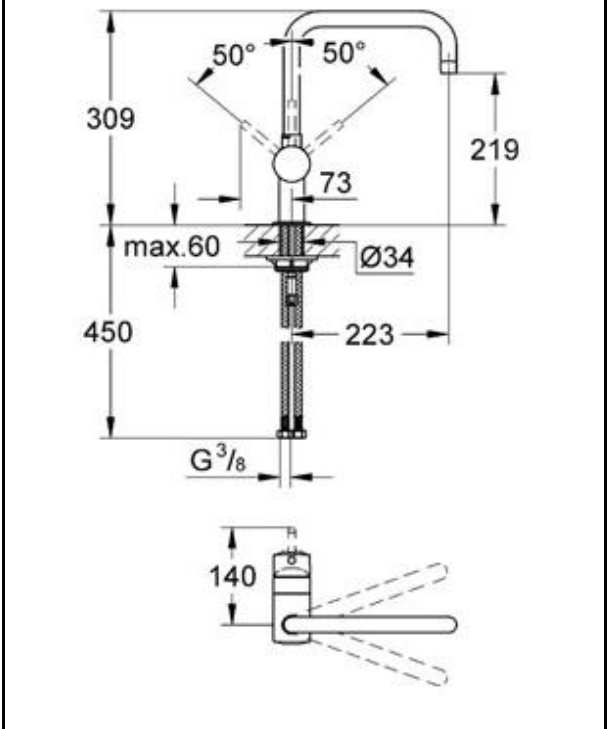
PROJECT		REF		REV	ITEM CODE	
LOCATION		DATE			PAGE	

SANITARY WARE SPECIFICATION SHEET

Item Descriptions	GROHE (Germany) "Minta" Warm sunrise single lever sink mixer; Nominal flow rate 4.7L/Min in WELS Grade 1; Registration No. TM 21-0030
Dimensions	L223 x W140 x H309 mm
Model	32488DA0 (Mixer) 64647040 (Aerator)
Finish	Warm Sunrise
Country of Origin	Portugal
Manufacturer	GROHE Limited
Supplier	Acme Sanitary Ware Co. Ltd Mr. Eric Wong/ Mr. Don Yuen
Contact Tel/Fax	(852) 2388-7171 / (852) 2710-8012
E-mail	acme@acmesanitary.com.hk
Website	www.acmesanitary.com.hk



Minta Single-lever Sink Mixer 1/2"
U-spout, single hole installation, adjustable flow rate limiter
GROHE SilkMove® 46 mm ceramic cartridge
GROHE warm sunset finish
selectable swivel area: 0° / 150° / 360°
swivel tubular spout
flexible connection hoses
rapid installation system
with 64647040 Insert Faucet Aerator



Note: Flexible Hose 406159040

* All information of the above is for the reference only. No prior notice is made if any changes.

註冊號碼 (Registration No.):

TM 21-0030



自願參與用水效益標籤計劃 - 水龍頭
Voluntary Water Efficiency Labelling Scheme - Water Taps



茲證明
This is to certify that

將下列水龍頭在本計劃內註冊：
has registered the following water tap under this scheme :

牌 子 / Brand	:	Grohe
型 號 / Model	:	32488XXX + 64647040
種 類 / Type	:	Mixing
原產地 / Country or Region Origin	:	Portugal (Mixer) Germany (Flow Controller)

XXX – denotes the code of colour

在用水效益標籤上展示的標誌 <i>Symbolic Presentation on the Water Efficiency Label</i>	:		滴水點 <i>Water droplet(s)</i>
用水效益級別 <i>Water Efficiency Grade</i>	:	1	
耗水量 <i>Water Consumption</i>	:	4.7	公升/分鐘 <i>litres/minute</i>

簽發日期：
Date of Issue: 11 February 2021

水務署
Water Supplies Department



水務署署長(張樂駒代行)
for Director of Water Supplies



水務署
Water Supplies Department

總部 Headquarters
香港灣仔 48/F, Im... 大樓 48 樓
...er Road, Wan Chai, Hong Kong



本署檔號 : (6) in WSL... J(305)
Our ref.
來函檔號 :
Your ref.

電話 :
Tel.
傳真 : 2824 0578
Fax.

19 July 2019



**Approval of "GROHE" Sink Mixer
(General Acceptance No. C20190369)**

Your letter ref. WRC/2048 dated 27 March 2019 and subsequent submission received by this department on 21 June 2019 refer.

Having considered the test report ref. J23935Ar2 issued on 3 June 2019 by Nutek Systems (HK) Ltd., this Authority accepts that the fitting described below complies with, and its use when correctly installed does not contravene, the Waterworks Ordinance and Regulations.

- Name of Manufacturer:** Grohe AG
- Country of Origin:** Portugal
- Brand:** Grohe
- Details of Fitting:** 3/8" Single lever sink mixer
- Model:** 32488XXX
(where the digits "XXX" denote the code of colour)
- Body Markings:**
- Expiry Date:** 31 January 2024



This Authority hereby permits the use of the above fitting in fresh water plumbing systems subject to full adherence to Waterworks installation requirements. In particular, you are required to draw your customers' attention to the following requirement-

“The cold water supply to the fitting shall be drawn from the same source that supplies the hot water apparatus so as to provide a balanced pressure and to obviate the risk of scalding in the event of a restriction or failure in the water supply.”

A condition of this acceptance is that the fitting to be installed shall be replicas of the sample as certified by the testing agent mentioned above and without modifications. This acceptance may be withdrawn at any time if the standard of the fitting installed fails to meet that of the approved sample or if the fitting is found to be unsuitable for use in fresh water plumbing systems.

This acceptance is only applicable to the main body of the fitting, unless otherwise specified.

For the use of the fitting in any project, the General Acceptance Number of this letter must be quoted as a means of identification of acceptance of the fitting by this Authority.

Should you have any enquiries, please contact our Engineer Mr. Terry KUNG at tel. no. 3583 4086.

Yours faithfully,



(CHAN Chung-kun)

for Director of Water Supplies

Encl.

c.c. WSD 3321/1/82] - without catalogue
 ME/MC] - with soft copy only



Waterworks Department

入境事務大樓 48 樓

48/F., Immigration Tower, 7 Gloucester Road, Wan Chai, Hong Kong

本署檔號 : (4) in WSD 3321/2020 T/J(595/2020)
Our ref.
來函檔號 :
Your ref.

電話 :
Tel.
傳真 : 2824 0578
Fax.

6 July 2020



Approval of "GROHE" Flexible Hose (General Acceptance No. C20200530)

Your letters ref. WRC/2231 and C-WSD/0605 dated 15 May 2020 and 19 June 2020 respectively refer.

Having considered the test report ref. J24823-1r1 issued on 12 June 2020 by Nutek Systems (HK) Limited, this Authority accepts that the fitting described below complies with, and its use when correctly installed does not contravene, the Waterworks Ordinance and Regulations.

Name of Manufacturer: Grohe AG



Country of Origin: Italy

Brand: Grohe

Details of Fitting: Stainless steel braided inlet flexible hose for tap/mixer

Model: 406159040

Size: Bore diameter: 6mm
End connection: 3/8"

Body Markings:  



Expiry Date: 23 April 2025

This Authority hereby permits the use of the above fitting in fresh water plumbing systems subject to full adherence to Waterworks installation requirements. In particular, you are required to draw your customers' attention to the following requirement-

"The inlet flexible hose is applied for the water tap or mixer connection only and installed in the fresh water plumbing systems."

A condition of this acceptance is that the fitting to be installed shall be replicas of the sample as certified by the testing agent mentioned above and without modifications. This acceptance may be withdrawn at any time if the standard of the fitting installed fails to meet that of the approved sample or if the fitting is found to be unsuitable for use in fresh water plumbing systems.

For the use of the fitting in any project, the General Acceptance Number of this letter must be quoted as a means of identification of acceptance of the fitting by this Authority.

Should you have any enquiries, please contact our Engineer Mr. Terry KUNG at tel. no. 3583 4086.

Yours faithfully,



(CHAN Chung-kun)

for Director of Water Supplies

Encl.

c.c. WSD 3321/1/82] - without catalogue
ME/MC] - with soft copy only